



## OUR SALES & MARKETING OFFICES

Claytan Corporation Sdn Bhd (25396-P)

Ceramics Centre Sdn Bhd (78141-K)

### HEAD OFFICE/ MAIN SHOWROOM

#### AIR HITAM / JOHOR

57th Mile, Jalan Johor, 86100 Ayer Hitam, Kluang, Johor  
T +607 758 1201 / 1202  
F +607 758 1175 / 1825 / 1988  
E info@claytanguroup.com

### SOUTHERN

#### JOHOR BAHRU / JOHOR

No. 14, Jalan Seroja 44, Taman Johor Jaya, 81100 Johor Bahru, Johor  
T +607 351 2128 / 2129  
F +607 351 2127  
E scjcb-sales@claytanguroup.com

75, Jalan Mutiara Emas 10/19, Taman Mount Austin, 81100 Johor Bahru, Johor  
T +607 350 4990  
F +607 350 4101  
E scjcb-sales@claytanguroup.com

#### SEREMBAN / NEGERI SEMBILAN

No. 2, Jalan Campbell, 70000 Seremban, Negeri Sembilan  
T +606 761 2135  
F +606 761 2135  
E khtee@claytanguroup.com

#### MELAKA / MELAKA

38, Jalan Taming Sari (Mata Kuching), 75400 Melaka  
T +606 286 4993  
F +606 284 7568  
E sccmk@claytanguroup.com

### CENTRAL

#### KUALA LUMPUR / SELANGOR

36, Jalan PJS 3/1, Taman Medan, 46000 Petaling Jaya, Selangor  
T +603 7788 8810 / 8100  
F +603 7788 8820 / 8860  
E cckl@claytanguroup.com

### NORTHERN

#### PERAI / PENANG

650, Jalan Perusahaan, Taman Perusahaan Perai, 13600 Perai, Pulau Pinang  
T +604 383 9695  
F +604 398 9695  
E scpcg-admin@claytanguroup.com

#### IPOH / PERAK

171, Jalan Kampar, 30250 Ipoh, Perak  
T +605 241 8229  
F +605 241 8230  
E skling@claytanguroup.com

### EAST COAST

#### KUANTAN / PAHANG

B-102, Tingkat 1, Jalan Haji Ahmad, Perkampungan Setali, 25300 Kuantan, Pahang  
T +609 515 6628  
F +609 515 6629  
E ccktn-sales@claytanguroup.com

### EAST MALAYSIA

#### KUCHING / SARAWAK

Lot 1042 Jalan Marsawa, Pending Industrial Estate, 93450 Kuching, Sarawak  
T +6082 343 262  
F +6082 343 263  
E sccku@claytanguroup.com

Ground Floor, Lot 10873, Jalan Mendu, 93200 Kuching, Sarawak

T +6082 332 341  
F +6082 332 402  
E sccku@claytanguroup.com

#### KOTA KINABALU / SABAH

Claycorp Marketing (S) Sdn Bhd G-47-G, Block G, Pavilion Bundusan, Jalan Bundusan, Penampang, 88300 Kota Kinabalu, Sabah  
T +6088 739 177  
F +6088 739 188  
E maypui@claytanguroup.com

### The Colour Chart Selection

#### STANDARD



Pink



Sky Blue



Ivory

#### PREMIUM



Burgundy



Sorrento Blue

#### WHITE



White

\*Product colour reproduction is as near to actual product colour as production methods allow.  
\*Colour range does not apply to all models.

Distributor:

www.claytanguroup.com

proudly 100% malaysian made

Claytan®

a subsidiary of Claytan®

Clay Industries Sdn Bhd [6130-W]  
57th Mile, Jalan Johor, 86100 Ayer Hitam, Kluang, Johor, Malaysia  
Tel: (6) 07-758 1201 / 1202 Fax: (6) 07-758 1175 / 1825 / 1988  
Email: info@claytanguroup.com



This catalogue provides information about the company to anyone who is interested about the company. It is not for general circulation or public dissemination. CLAYTAN does not assume any responsibility for any unauthorised distribution or dissemination of this catalogue or part thereof in any form. Kindly consult the above contacts for more information. Product visuals featured here are for visual references only. Actual products may vary. Product & product colour reproduction is as near to actual product colour as production methods allow. All dimensions are approximately measured in millimeters. Colour range does not apply to all models. Warning: Products in this leaflet are the subject of registered designs and patents.

Printing Date : 12/2016 (MAL)(R1)


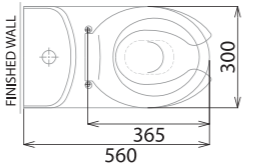
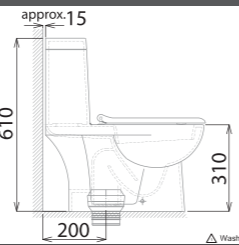


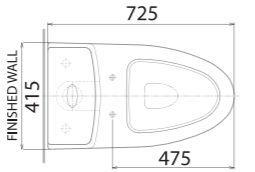
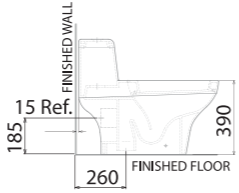
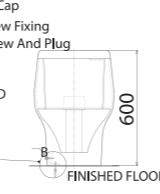

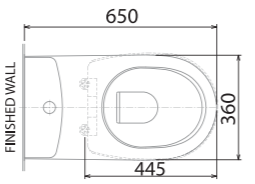
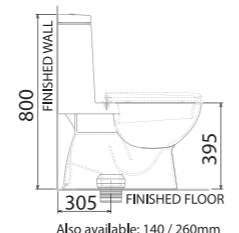
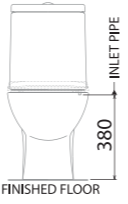

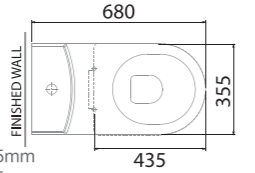
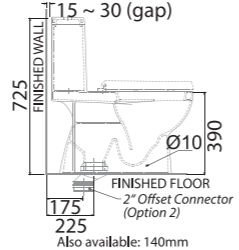




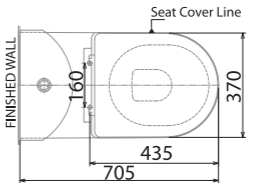
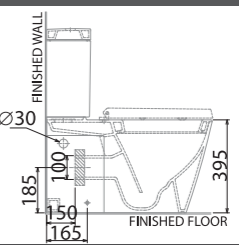
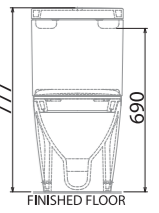

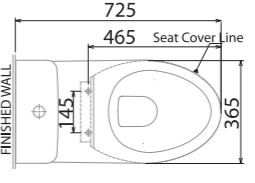
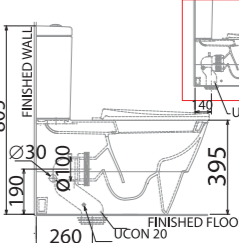
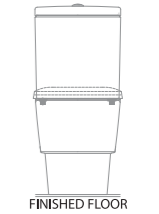

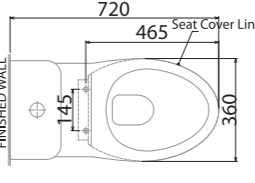
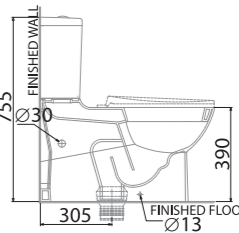
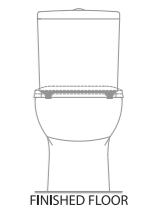

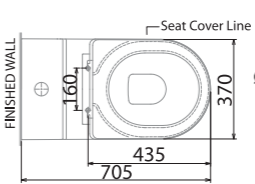
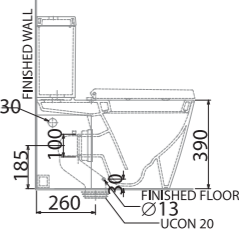
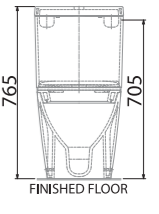

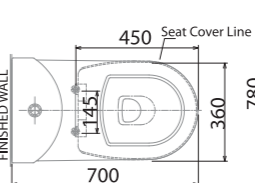
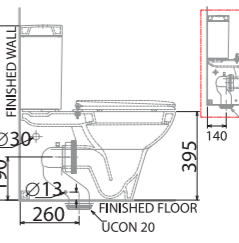
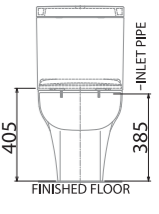

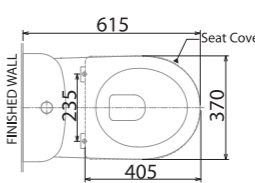
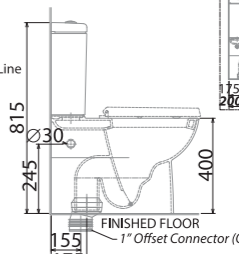
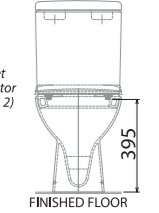
Claytan®


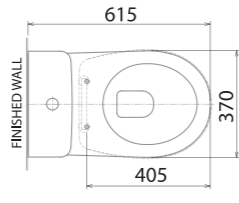
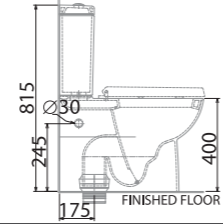
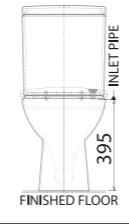

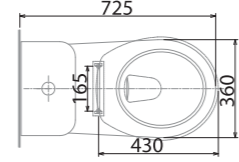
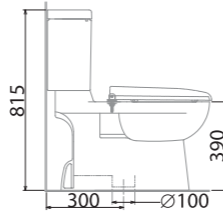
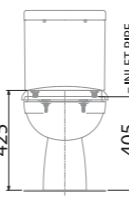

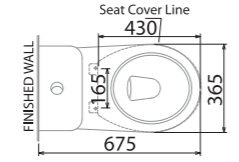
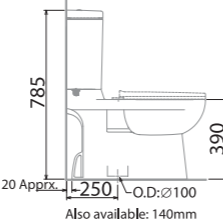
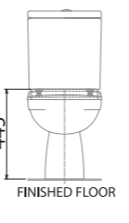

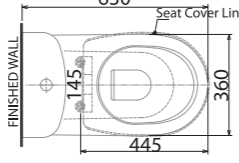
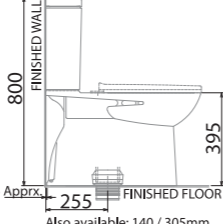


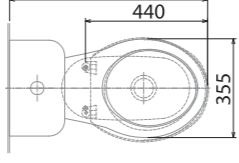
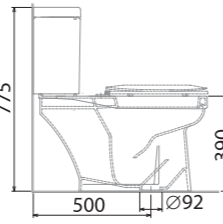
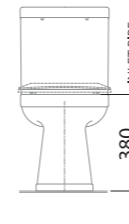

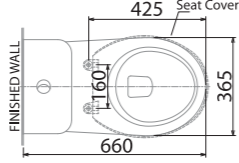
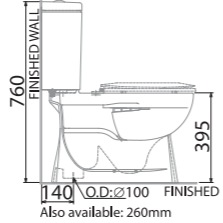
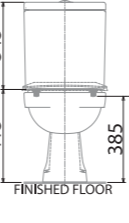
# Introduction

Fine craftsmanship and attention to details make CLAYTAN a prestigious brand with over 90 years of experience in ceramic ware. Every product produced by CLAYTAN Group is designed with a unique statement, as we are dedicated to excellence through technology to produce meticulous curves, unique angles and polished surface products that are unmatched worldwide.


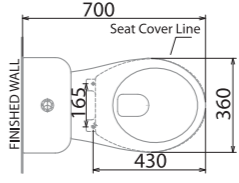
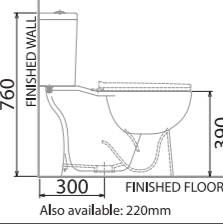
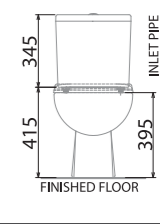

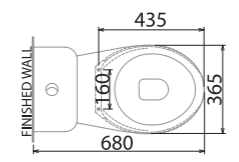
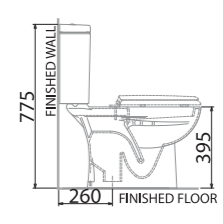


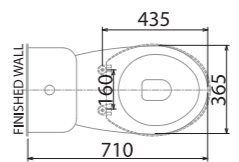
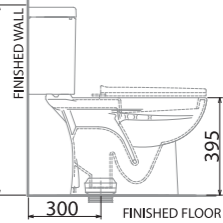
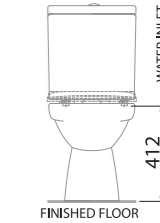
Designed to suit the modern lifestyle, our products not only accentuate the beauty of the bathroom, but also boost innovative water saving technology. Renowned for our water saving concepts worldwide, CLAYTAN is the first in Malaysia to develop an eco-friendly range of products that save water and preserve the planet.


One Piece W.C. Suite	PLAN / TOP ELEVATION	SIDE ELEVATION	FRONT ELEVATION
 <p><b>KIDDY WASHDOWN ONE PIECE WC SET WC1611</b> 4.5 / 3 Litres, 3.5 / 2.5 Litres BO / S Trap rough-in : 200mm</p>			
 <p><b>MERCURY WASHDOWN ONE PIECE WC SET WC1622 (S / P)</b> 6 / 3 Litres, 4 / 3 Litres BO / S Trap rough-in : 260mm HO / P Trap height : 185mm</p>			
 <p><b>NEMO WASHDOWN ONE PIECE WC SET WC1633 (A / S / B)</b> 6 / 3 Litres, 4 / 3 Litres BO / S Trap rough-in : A : 140 / S:260 / B : 305mm</p>			
 <p><b>AQUARIUS WASHDOWN ONE PIECE WC SET WC1655 (A / S)</b> 6 / 3 Litres, 4 / 3 Litres BO / S Trap rough-in: Option 1 : 1" offset : 205mm or 245mm Option 2 : 2" offset : 175mm or 275mm</p>			

Washdown W.C. Suite	PLAN / TOP ELEVATION	SIDE ELEVATION	FRONT ELEVATION
 <p><b>VESPER WASHDOWN CLOSE COUPLE WC SET WC4520P / LC3011FT</b> 6 / 3 Litres, 4.5 / 3 Litres BO / S Trap rough-in : 260mm (convert from P Trap to 260mm with specific S Converter) HO / P Trap height : 185mm</p>			
 <p><b>TRITON ELONGATED WASHDOWN CLOSE COUPLE WC SET WC4512 / LC3025D</b> 6 / 3 Litres, 4.5 / 3 Litres BO / S Trap rough-in : 305mm HO / P Trap height : 190mm (convert from P trap to S trap 140mm / 260mm with specific S Converter)</p>			
 <p><b>TELESTO ELONGATED WASHDOWN CLOSE COUPLE WC SET WC4529 / LC3005ND</b> 6 / 3 Litres, 4.5 / 3 Litres BO / S Trap rough-in : 305mm HO / P Trap height : 190mm (convert from P trap to S trap 260mm with specific S Converter)</p>			
 <p><b>VENUS WASHDOWN CLOSE COUPLE WC SET WC4509P / LC3029ND</b> 6 / 3 Litres, 4.5 / 3 Litres BO / S Trap rough-in : 260mm (convert from P trap to S trap 260mm with specific S Converter) HO / P Trap height : 185mm</p>			
 <p><b>LEO WASHDOWN CLOSE COUPLE WC SET WC4511NP / LC3011FT</b> 6 / 3 Litres, 4.5 / 3 Litres BO / S Trap rough-in : 140 / 260 / 305mm (convert P trap to S trap with specific S Converter) HO / P Trap height : 190mm</p>			
 <p><b>NEON WASHDOWN CLOSE COUPLE WC SET WC4516 / LC3022D</b> 6 / 3 Litres, 4.5 / 3 Litres BO / S Trap rough-in : 175mm (S Trap 155mm with 1" offset connector) HO / P Trap height : 190mm</p>			


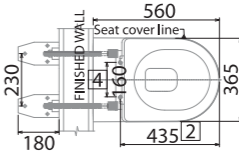
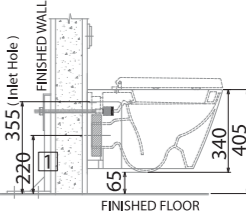
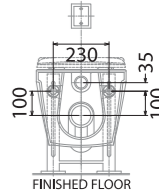

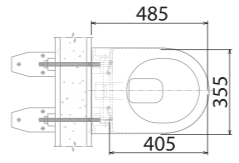
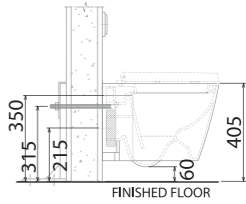
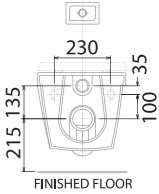

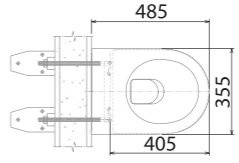
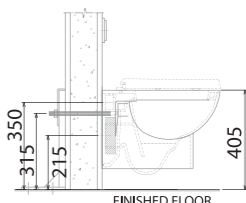
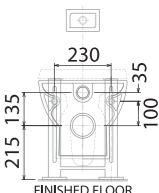

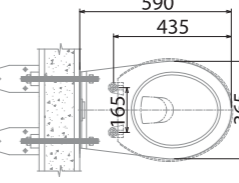
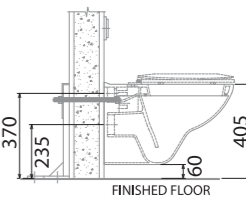
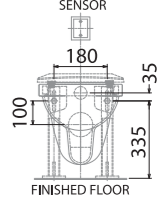
Washdown W.C. Suite	PLAN / TOP ELEVATION	SIDE ELEVATION	FRONT ELEVATION
 <p><b>NEPTUNE WASHDOWN CLOSE COUPLE WC SET</b> <b>WC4515 / LC3025D</b> 6 / 3 Litres, 4,5 / 3 Litres BO / S Trap rough-in : 175mm HO / P Trap height : 190mm</p>	 <p>615 370 405</p>	 <p>815 245 175 400 FINISHED FLOOR</p>	 <p>INLET PIPE 395 FINISHED FLOOR</p>
 <p><b>LISA 2 WASHDOWN CLOSE COUPLE WC SET</b> <b>WC4505D / LC3030D</b> 6 / 3 Litres, 4,5 / 3 Litres BO / S Trap rough-in : 300mm HO / P Trap height : 190mm</p>	 <p>725 360 430 165</p>	 <p>815 390 300 Ø100 FINISHED FLOOR</p>	 <p>INLET PIPE 425 405 FINISHED FLOOR</p>
 <p><b>LISA WASHDOWN CLOSE COUPLE WC SET</b> <b>WC4505 / LC3005ND</b> 6 / 3 Litres, 4,5 / 3 Litres BO / S Trap rough-in : A : 140 / D : 250mm HO / P Trap height : 190mm</p>	 <p>Seat Cover Line 430 365 675 165 FINISHED WALL</p>	 <p>785 390 20 Approx. 250 Ø100 FINISHED FLOOR Also available: 140mm</p>	 <p>445 FINISHED FLOOR</p>
 <p><b>LYNX WASHDOWN CLOSE COUPLE WC SET</b> <b>WC4526 / LC3306D</b> 6 / 3 Litres, 4,5 / 3 Litres BO / S Trap rough-in : A : 140 / S : 255 / B : 305mm HO / P Trap height : 190mm</p>	 <p>630 360 445 145 Seat Cover Line FINISHED WALL</p>	 <p>800 395 5 Approx. 255 FINISHED FLOOR Also available: 140 / 305mm</p>	 <p>INLET PIPE 380 FINISHED FLOOR</p>
 <p><b>LAVEZ WASHDOWN CLOSE COUPLE WC SET</b> <b>WC3100 / LC3030D</b> 6 / 3 Litres BO / S Trap rough-in : 500mm</p>	 <p>715 440 355 FINISHED WALL</p>	 <p>775 390 500 Ø92 FINISHED FLOOR</p>	 <p>INLET PIPE 380 FINISHED FLOOR</p>
 <p><b>LYRA WASHDOWN CLOSE COUPLE WC SET</b> <b>WC4506 / LC3016D</b> 6 / 3 Litres, 4,5 / 3 Litres BO / S Trap rough-in : A : 140 / S : 260mm</p>	 <p>425 365 660 160 Seat Cover Line FINISHED WALL</p>	 <p>760 395 140 Ø100 FINISHED FLOOR Also available: 260mm</p>	 <p>INLET PIPE 345 415 385 FINISHED FLOOR</p>

WATER EFFICIENCY  Good  Very Good  Excellent


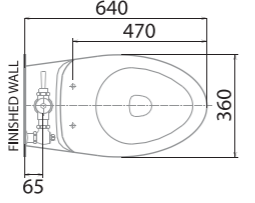
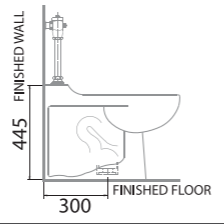
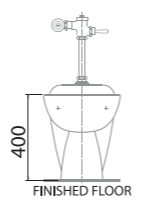

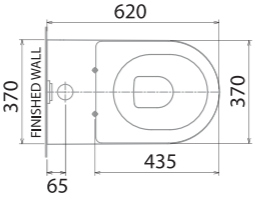
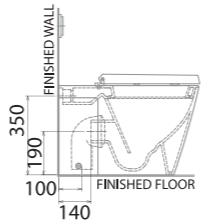
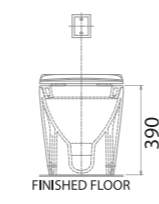

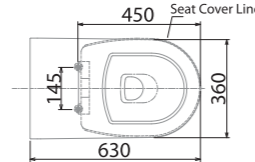
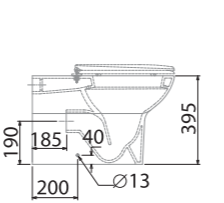
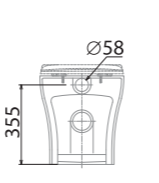

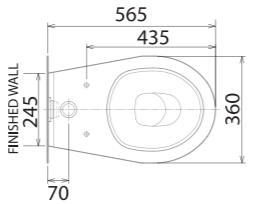
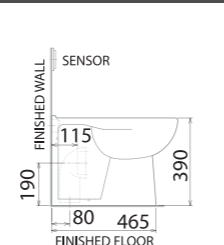
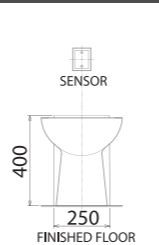

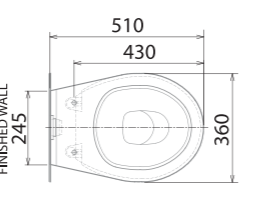
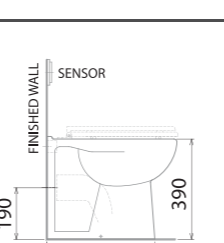
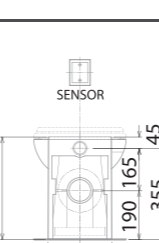

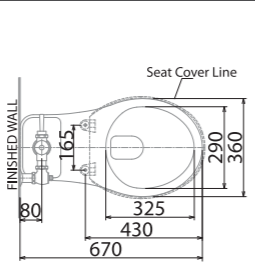
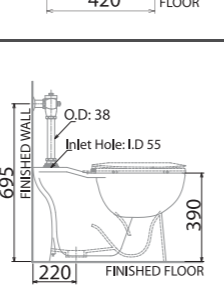
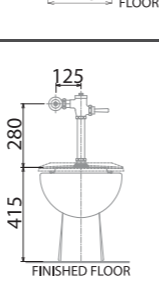
Washdown W.C. Suite	PLAN / TOP ELEVATION	SIDE ELEVATION	FRONT ELEVATION
 <p><b>WINNIE WASHDOWN CLOSE COUPLE WC SET</b> <b>WC612N / LC3005ND</b> 6 / 3 Litres, 4,5 / 3 Litres BO / S Trap rough-in : D : 220 / B : 300mm</p>	 <p>700 360 430 165 Seat Cover Line FINISHED WALL</p>	 <p>760 390 300 FINISHED FLOOR Also available: 220mm</p>	 <p>INLET PIPE 345 395 FINISHED FLOOR</p>
 <p><b>IRIS WASHDOWN CLOSE COUPLE WC SET</b> <b>WC4501N / LC3005ND</b> 6 / 3 Litres, 4,5 / 3 Litres BO / S Trap rough-in : 260mm HO / P Trap height : 190mm</p>	 <p>435 365 680 160 FINISHED WALL</p>	 <p>775 395 260 FINISHED FLOOR</p>	 <p>WATER INLET 412 FINISHED FLOOR</p>
 <p><b>IRIS 2 WASHDOWN CLOSE COUPLE WC SET</b> <b>WC4501N / LC3030D</b> 6 / 3 Litres, 4,5 / 3 Litres BO / S Trap rough-in : 300mm HO / P Trap height : 185mm</p>	 <p>435 365 710 160 FINISHED WALL</p>	 <p>775 395 300 FINISHED FLOOR</p>	 <p>WATER INLET 412 FINISHED FLOOR</p>


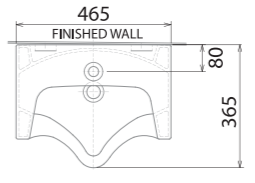
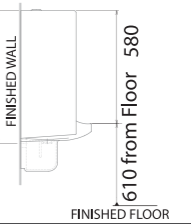
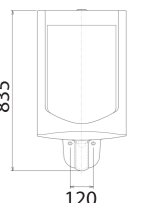

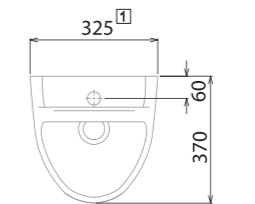
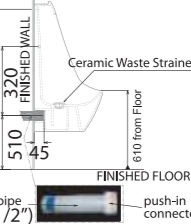
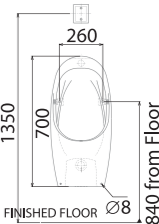

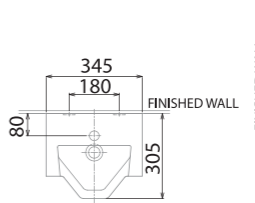
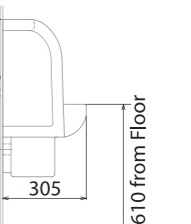
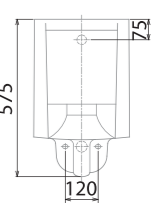

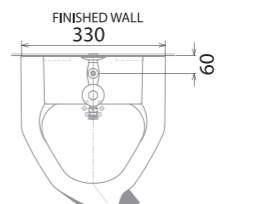
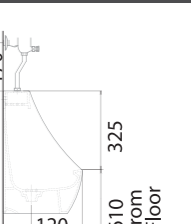
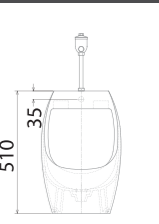

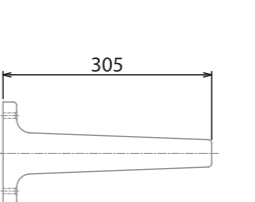
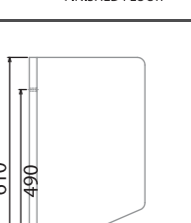
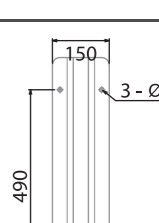

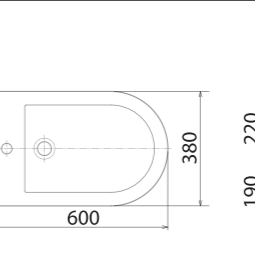
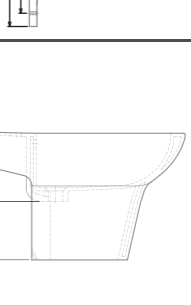
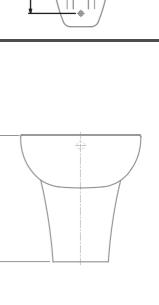
WATER EFFICIENCY  Good  Very Good  Excellent


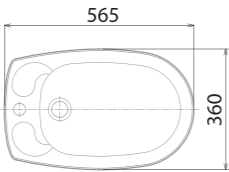
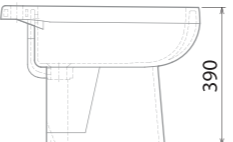
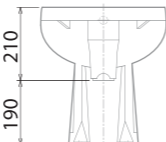



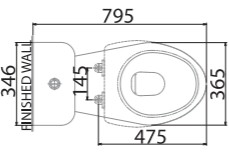
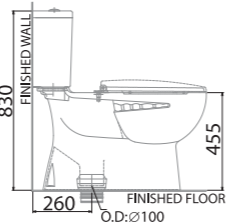
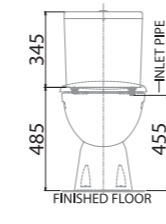
Wall Hung W.C	PLAN / TOP ELEVATION	SIDE ELEVATION	FRONT ELEVATION
 <p><b>VENUS WASHDOWN WALL HUNG WC SET</b> <b>WH4809</b> 4,5 / 6 Litres HO / P Trap height : 220mm Available in back inlet only</p>			
 <p><b>LINCOLN WASHDOWN WALL HUNG PAN</b> <b>WH4810</b> 6 / 3 Litres HO / P Trap height : 215mm Available in back inlet only</p>			
 <p><b>NEPTUNE WASHDOWN WALL HUNG PAN</b> <b>WH4815</b> 6 / 3 Litres HO / P Trap height : 215mm Available in back inlet only</p>			
 <p><b>PEGASUS WASHDOWN WALL HUNG WC SET</b> <b>WH4802</b> 6 / 3 Litres HO / P Trap height : 235mm Available in back / top inlet only</p>			


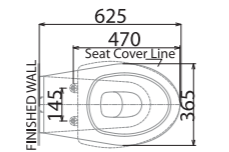
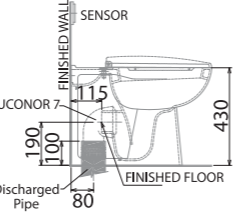
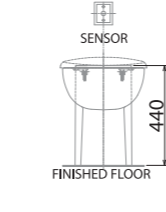
△ Wall Hung Washdown W.C With Concealed 9° Trap (Back Inlet)


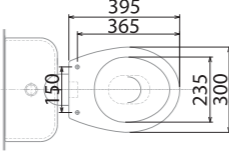
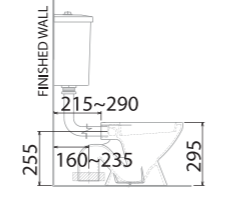
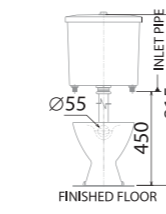
Back To Wall Pan	PLAN / TOP ELEVATION	SIDE ELEVATION	FRONT ELEVATION
 <p><b>ROSNA SYPHONIC ELONGATED BACK TO WALL PAN WC3705</b> 6 Litres BO / S Trap rough-in : 300mm Available in top / back inlet</p>			
 <p><b>VENUS WASHDOWN BACK TO WALL PAN WC4709P</b> 6 / 3 Litres HO / P Trap height : 190mm S Trap converter rough in : 100mm Available in top / back inlet only</p>			
 <p><b>LEO WALL FACE BI PAN WC4711</b> 6 Litres HO / P Trap height : 190mm Available in back inlet only</p>			
 <p><b>RICHMOND WASHDOWN BACK TO WALL PAN WC4707</b> 6 / 3 Litres HO / P Trap height : 190mm S Trap converter rough in : 80mm Available in top / back inlet only</p>			
 <p><b>WINDSOR WASHDOWN BACK TO WALL PAN WC626</b> 6 / 3 Litres HO / P Trap height : 190mm Available in back inlet only</p>			
 <p><b>WINNIE WASHDOWN PAN WC612NF</b> 6 Litres BO / S Trap rough-in : 220mm Available in top inlet only</p>			


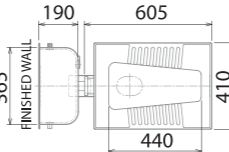
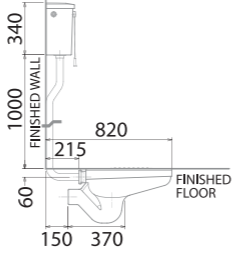
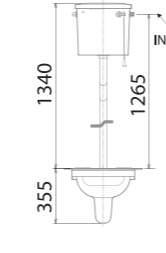
Urinal / Bidet	PLAN / TOP ELEVATION	SIDE ELEVATION	FRONT ELEVATION
 <p><b>CETUS WALL HUNG URINAL UR5603</b> Urinal with Integral Trap Available in Top / Back Inlet L 365 x W 465 x H 835 mm</p>			
 <p><b>LONG BOOTES WALL HUNG URINAL UR5605</b> Urinal with Integral Trap Available in Top / Back Inlet L 370 x W 325 x H 700 mm</p>			
 <p><b>SHENTON WALL HUNG URINAL UR407</b> Urinal with Integral Trap Available in Top / Back Inlet L 305 x W 345 x H 575 mm</p>			
 <p><b>BOOTES WALL HUNG URINAL UR5602</b> Without Integral Trap Available in Top / Back Inlet L 340 x W 330 x H 510 mm (Available with PVC Bottle Trap)</p>			
 <p><b>URINAL DIVIDER UD441</b> L 610 x W 305 x H 150</p>			
 <p><b>LEO FLOOR MOUNTED BIDET BD5111</b> L 600 x W 380 x H 400</p>			


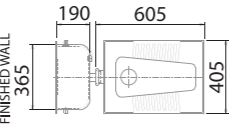
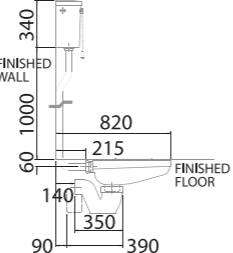
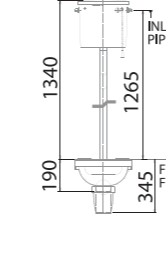
Urinal / Bidet	PLAN / TOP ELEVATION	SIDE ELEVATION	FRONT ELEVATION
 <p>COMMON FLOOR MOUNTED BIDET <b>BD 5104</b> L 565 x W 360 x H 400</p>			


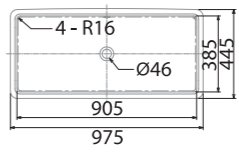
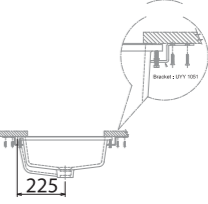
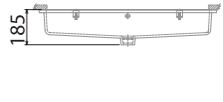
Handicap W.C. / Children W.C.	PLAN / TOP ELEVATION	SIDE ELEVATION	FRONT ELEVATION
 <p>HANDICAPPED WASHDOWN CLOSE COUPLE PAN <b>WC9501S / LC3005ND</b> 6 / 3 Litres, 4,5 / 3 Litres BO / S Trap rough-in : 260mm</p>			


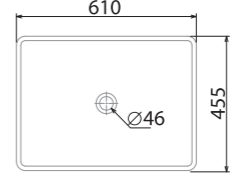

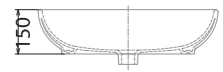
Handicap Elongated Back to Wall Pan	PLAN / TOP ELEVATION	SIDE ELEVATION	FRONT ELEVATION
 <p>HANDICAPPED ELONGATED BACK TO WALL PAN <b>WC9701 (TI / BI)</b> HO / P Trap height : 190mm (S trap 80mm with specific S Converter) Available in Top / Back Inlet</p>			


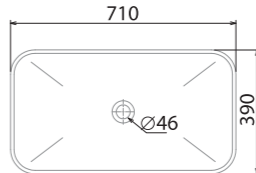
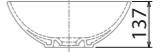

Kiddy Washdown Pan	PLAN / TOP ELEVATION	SIDE ELEVATION	FRONT ELEVATION
 <p>KIDDY WASHDOWN PAN <b>WC9502S / LC3010D</b> 6 / 3 Litres BO / S Trap rough-in : 260mm</p>			


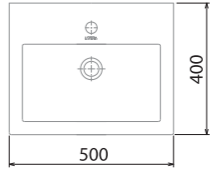
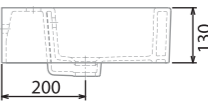
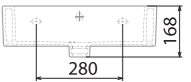
Oriental Squatting Pan with Integral P Trap	PLAN / TOP ELEVATION	SIDE ELEVATION	FRONT ELEVATION
 <p>ORIENTAL SQUATTING PAN WITH INTEGRAL P TRAP <b>WC644P / LC3010AHL</b> 6 Litres lever chain activated</p>			


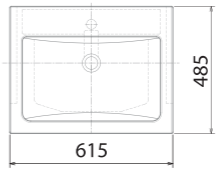
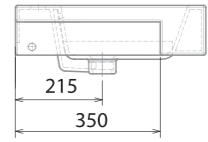
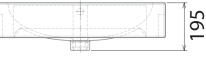
Oriental II Squatting Pan	PLAN / TOP ELEVATION	SIDE ELEVATION	FRONT ELEVATION
 <p>ORIENTAL II SQUATTING PAN <b>WC644 II / LC3010AHL</b> 6 Litres lever chain activated S or P external trap available TP661S or TP661P</p>			


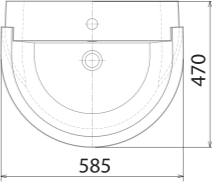
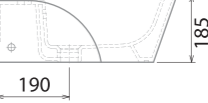
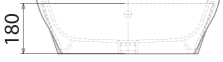
Fine Fireclay Basin	PLAN / TOP ELEVATION	SIDE ELEVATION	FRONT ELEVATION
 <p>OBLONG UNDER COUNTER BASIN <b>WBFC1601</b> L 445 x W 975 x H 185</p>			


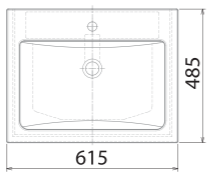
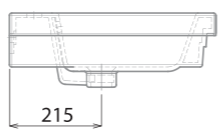
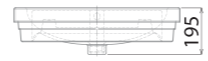

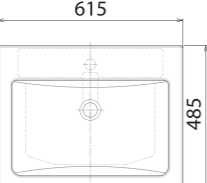

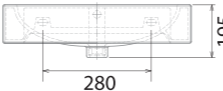

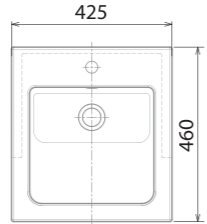
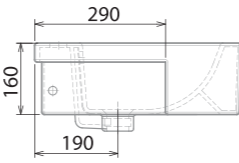
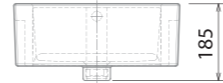

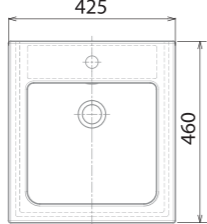
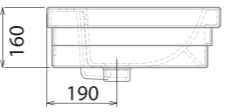
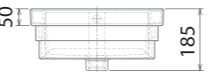

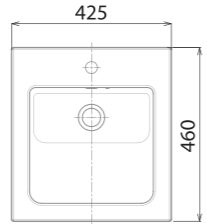
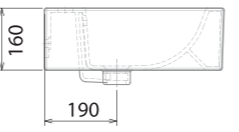
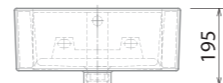

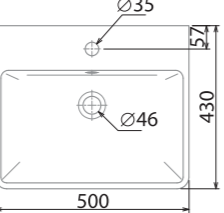
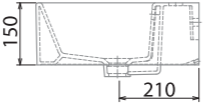
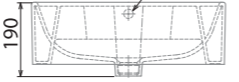
Rectangular Above Counter Basin	PLAN / TOP ELEVATION	SIDE ELEVATION	FRONT ELEVATION
 <p>WBFC1520AC RECTANGULAR ABOVE COUNTER BASIN <b>WBFC1520AC</b> L 455 x W 610 x H 195</p>			


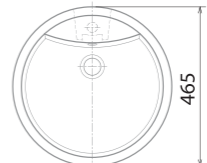
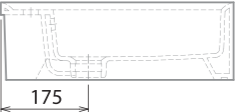
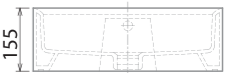

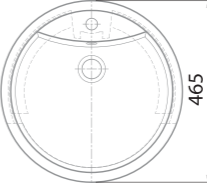
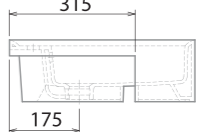
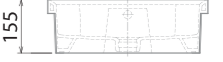

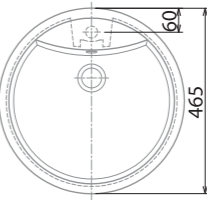
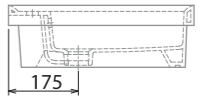
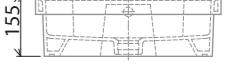

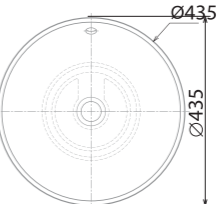
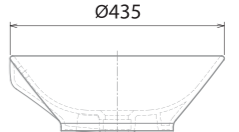
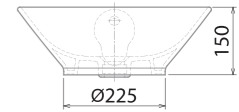

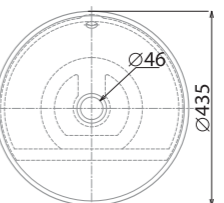
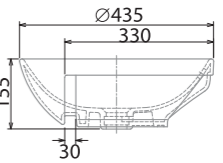
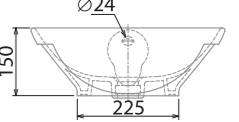

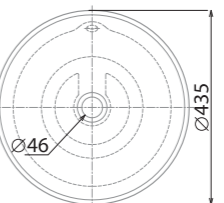
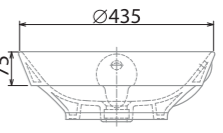
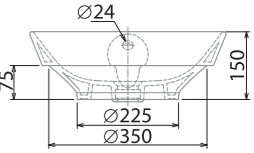
Rectangular Above Counter Basin	PLAN / TOP ELEVATION	SIDE ELEVATION	FRONT ELEVATION
 <p>WBFC1521AC RECTANGULAR ABOVE COUNTER BASIN <b>WBFC1521AC</b> L 390 x W 710 x H 137</p>			

Taurus Teen Above Counter Square Basin	PLAN / TOP ELEVATION	SIDE ELEVATION	FRONT ELEVATION
 <p>TAURUS TEEN ABOVE COUNTER SQUARE BASIN <b>WBFC1126AC</b> L 400 x W 500 x H 168</p>			


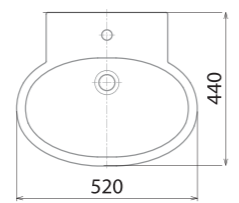
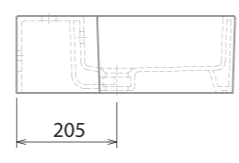
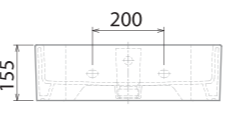
Taurus Semi Recess Basin	PLAN / TOP ELEVATION	SIDE ELEVATION	FRONT ELEVATION
 <p>TAURUS SEMI RECESS BASIN <b>WBFC1018SR</b> L 485 x W 615 x H 195</p>			


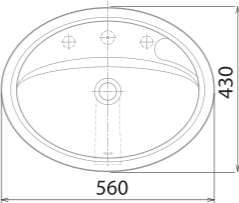
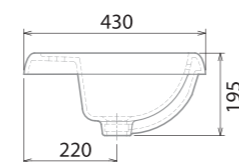
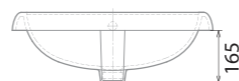
Virgo Above Counter Basin	PLAN / TOP ELEVATION	SIDE ELEVATION	FRONT ELEVATION
 <p>VIRGO ABOVE COUNTER BASIN <b>WBFC1577</b> L 470 x W 585 x H 185</p>			


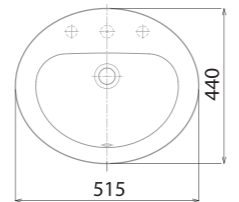
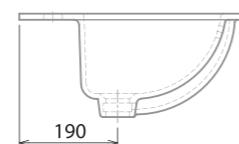
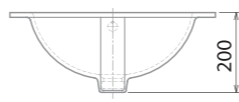
Fine Fireclay Basin		PLAN / TOP ELEVATION	SIDE ELEVATION	FRONT ELEVATION
	TAURUS INSET BASIN <b>WBFC1018IS</b> L 485 x W 615 x H 195			
	TAURUS WALL BASIN / ABOVE COUNTER BASIN <b>WBFC1018 (WH / AC)</b> L 485 x W 615 x H 195			
	TAURUS JR. SEMI RECESS BASIN <b>WBFC1518SR</b> L 460 x W 425 x H 185			
	TAURUS JR. INSET BASIN <b>WBFC1518IS</b> L 460 x W 425 x H 185			
	TAURUS JR. WALL BASIN <b>WBFC1518WH</b> L 460 x W 425 x H 195			
	TELESTO WALL BASIN / ABOVE COUNTER BASIN <b>WBFC1023 (WH / AC)</b> L 430 x W 500 x H 190 Optional : Semi Pedestal SRFC1710 Full Pedestal BP1710			


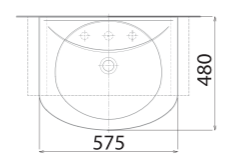
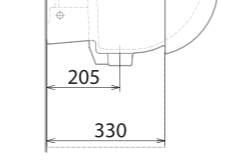
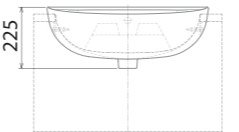
Designer Basin		PLAN / TOP ELEVATION	SIDE ELEVATION	FRONT ELEVATION
	PICTOR ABOVE COUNTER BASIN <b>WB1507AC</b> Ø 465 x H 155			
	PICTOR SEMI RECESS BASIN <b>WB1507SR</b> Ø 465 x H 155			
	PICTOR INSET BASIN <b>WB1507IS</b> Ø 465 x H 155			
	CONSOLE ABOVE COUNTER BASIN <b>WB1504AC</b> Ø 435 x H 150			
	CONSOLE SEMI RECESS BASIN <b>WB1504SR</b> Ø 435 x H 150			
	CONSOLE INSET BASIN <b>WB1504IS</b> Ø 435 x H 150			


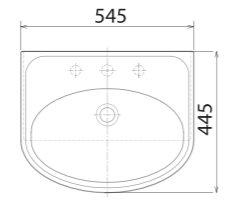
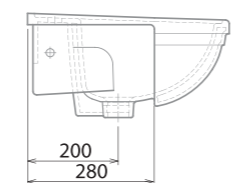
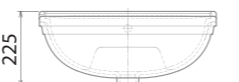



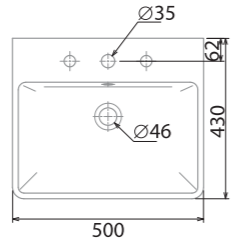
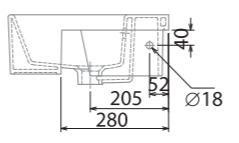
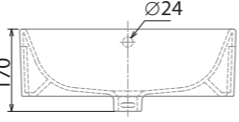
Designer Basin	PLAN / TOP ELEVATION	SIDE ELEVATION	FRONT ELEVATION
 <p><b>CAPRICORN ABOVE COUNTER BASIN</b> <b>WB1070</b> L 440 x W 520 x H 155 Optional : Shroud SR 1718</p>			


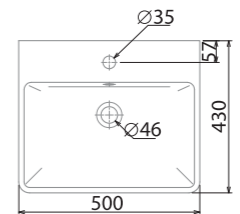
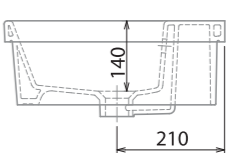
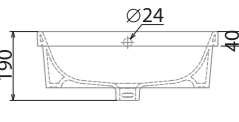
Counter Top Basin	PLAN / TOP ELEVATION	SIDE ELEVATION	FRONT ELEVATION
 <p><b>MONA COUNTER TOP BASIN</b> <b>WB106</b> L 430 x W 560 x H 195</p>			


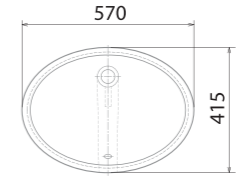
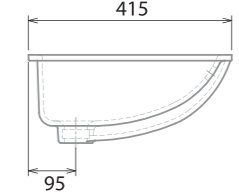
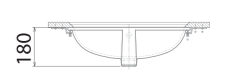
Counter Top Basin	PLAN / TOP ELEVATION	SIDE ELEVATION	FRONT ELEVATION
 <p><b>LYNX COUNTER TOP BASIN</b> <b>WB1506</b> L 440 x W 515 x H 200</p>			


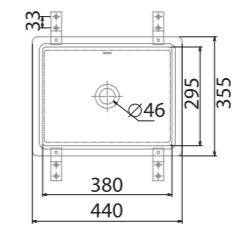
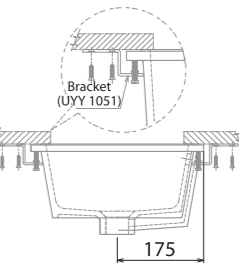
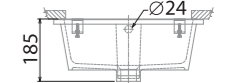
Semi Recess Basin	PLAN / TOP ELEVATION	SIDE ELEVATION	FRONT ELEVATION
 <p><b>ELISA SEMI RECESS BASIN</b> <b>WB1404</b> L 480 x W 575 x H 225</p>			


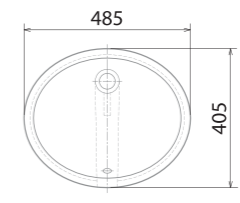
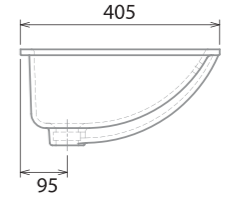
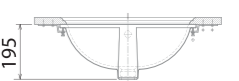
Semi Recess Basin	PLAN / TOP ELEVATION	SIDE ELEVATION	FRONT ELEVATION
 <p><b>FIONA SEMI RECESS BASIN</b> <b>WB1401M</b> L 445 x W 545 x H 225</p>			


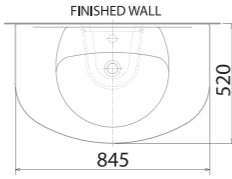
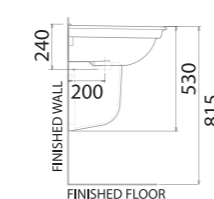
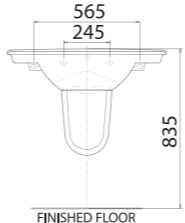

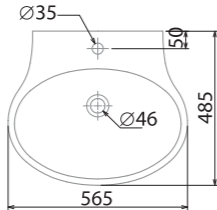
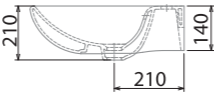
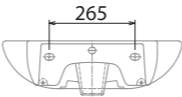

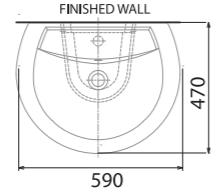
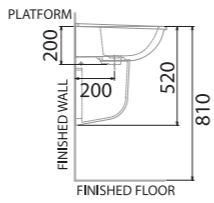
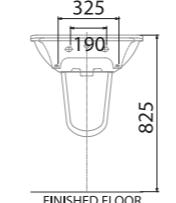

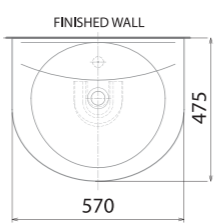
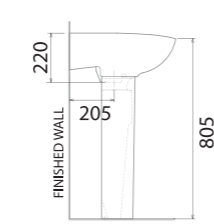
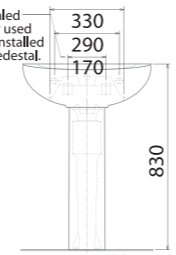

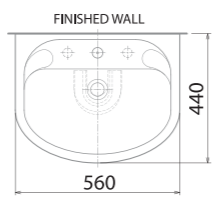
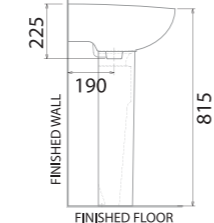
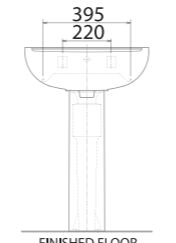

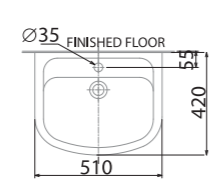
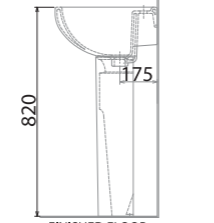
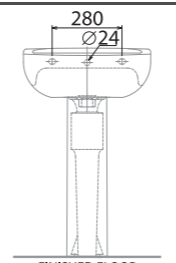
Semi Recess Basin	PLAN / TOP ELEVATION	SIDE ELEVATION	FRONT ELEVATION
 <p><b>TELESTO SEMI RECESS BASIN</b> <b>WB1023SR</b> L 430 x W 500 x H 170</p>			

Inset Basin	PLAN / TOP ELEVATION	SIDE ELEVATION	FRONT ELEVATION
 <p><b>TELESTO INSET BASIN</b> <b>WB1023IS</b> L 430 x W 500 x H 190</p>			


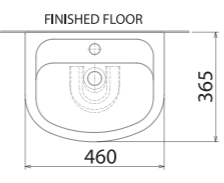
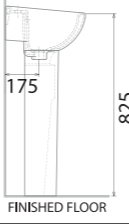
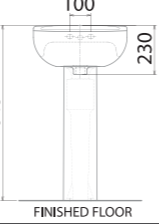

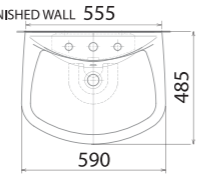
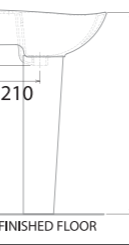
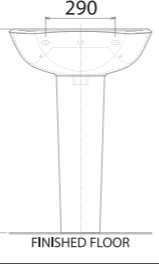

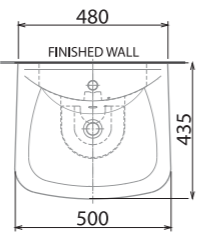
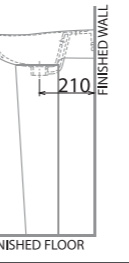
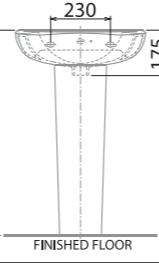

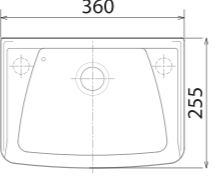
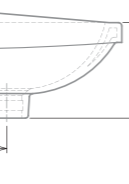
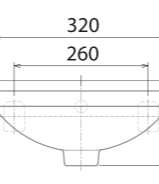

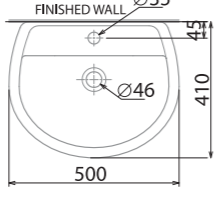
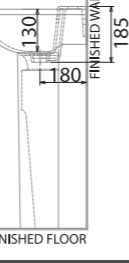
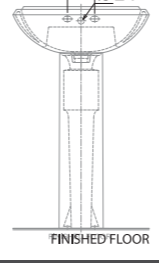

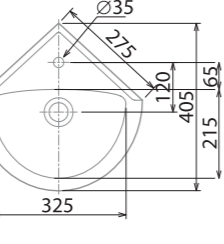
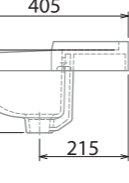
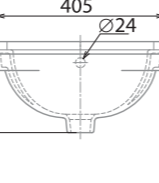
Under Counter Basin	PLAN / TOP ELEVATION	SIDE ELEVATION	FRONT ELEVATION
 <p><b>ROSALYN UNDER COUNTER BASIN</b> <b>WB1608</b> L 415 x W 570 x H 180</p>			


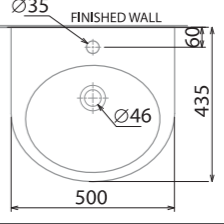
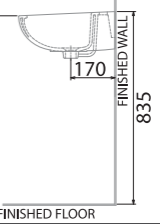
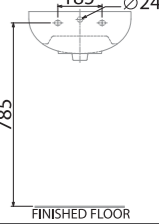

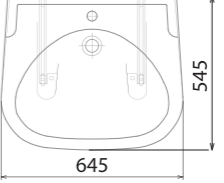
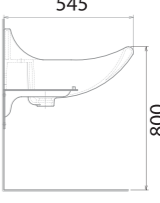
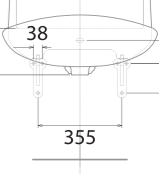

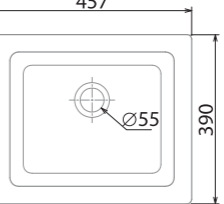
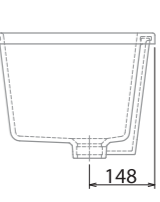
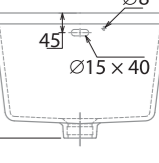

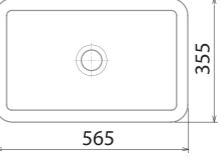
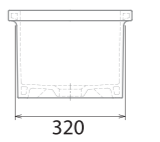
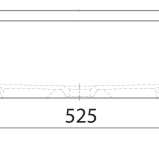
Under Counter Basin	PLAN / TOP ELEVATION	SIDE ELEVATION	FRONT ELEVATION
 <p><b>UNDER COUNTER BASIN</b> <b>WB1606</b> L 355 x W 440 x H 185</p>			


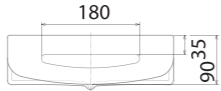
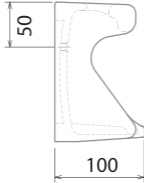
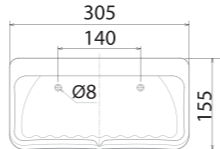


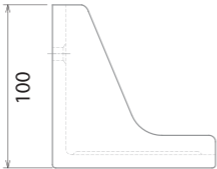
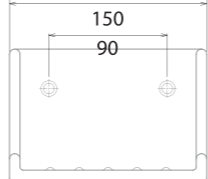

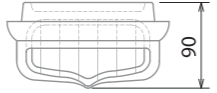
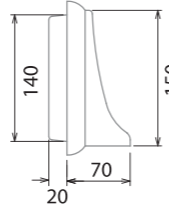
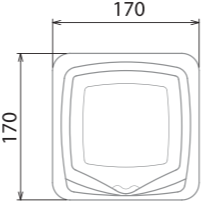

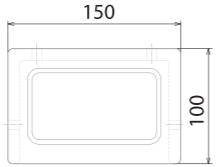
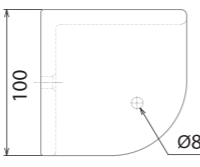
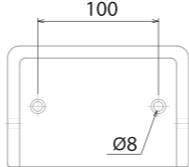

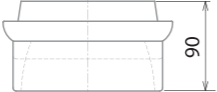
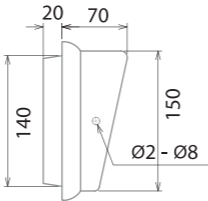
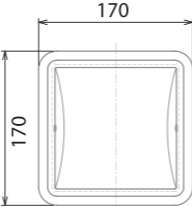

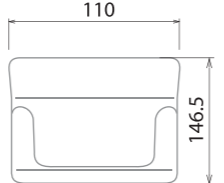
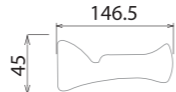

Under Counter Basin	PLAN / TOP ELEVATION	SIDE ELEVATION	FRONT ELEVATION
 <p><b>SALLY UNDER COUNTER BASIN</b> <b>WB107</b> L 405 x W 485 x H 195</p>			


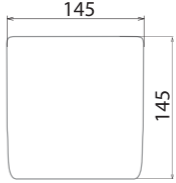
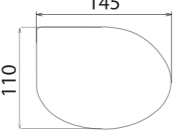
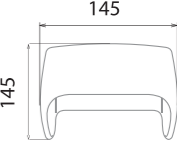

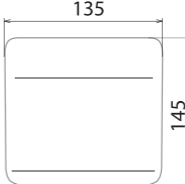
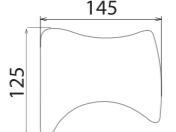
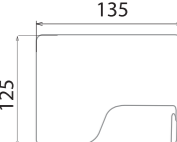

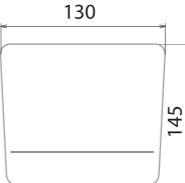
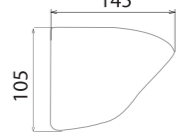
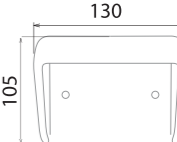

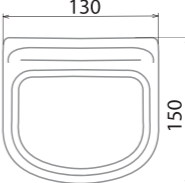
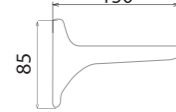
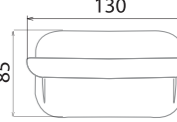
Wash Basin	PLAN / TOP ELEVATION	SIDE ELEVATION	FRONT ELEVATION
			
<p><b>EAGLE WALL BASIN</b> <b>WB1066 / SR1703</b> Basin with Semi Pedestal L 520 x W 845 x H 815 Also available with Pedestal BP 1758</p>			
			
<p><b>AQUARIUS WALL BASIN</b> <b>WB1106</b> L 485 x W 565 x H 210 Optional : Semi Pedestal SR 1706</p>			
			
<p><b>ARIES WALL HUNG BASIN</b> <b>WB1063 / SR1703</b> Basin with Semi Pedestal L 470 x W 590 x H 810 Also available with Pedestal BP 1758</p>			
			
<p><b>LISA WALL BASIN</b> <b>WB1059 / BP1754</b> Basin with Pedestal L 475 x W 570 x H 805 Also available with Semi Pedestal SR 1701</p>			<p>Concealed hanger used when installed with pedestal.</p>
			
<p><b>PRISCILA WALL BASIN</b> <b>WB1051 / BP1754</b> Basin with Pedestal L 440 x W 560 x H 815</p>			
			
<p><b>NEPTUNE 2 WALL BASIN</b> <b>WB1016 / BP1754</b> Basin with Pedestal L 420 x W 510 x H 820</p>			



Wash Basin	PLAN / TOP ELEVATION	SIDE ELEVATION	FRONT ELEVATION
 <p><b>NEPTUNE WALL BASIN</b> <b>WB1015 / BP1754</b> Basin with Pedestal L 365 x W 460 x H 825</p>			
 <p><b>LEO WALL BASIN</b> <b>WB1011 / BP1711</b> Basin with Pedestal L 485 x W 590 x H 830 Also available with Semi Pedestal SR 1711</p>			
 <p><b>CARINA WALL BASIN</b> <b>WB1010 / BP1711</b> Basin with Pedestal L 435 x W 500 x H 780 Also available with Semi Pedestal SR1711</p>			
 <p><b>LAURA WALL BASIN</b> <b>WB136</b> L 255 x W 360 x H 165</p>			
 <p><b>JASMINE WALL BASIN</b> <b>WB134N / BP1754</b> Basin with Pedestal L 410 x W 500 x H 795</p>			
 <p><b>CORINA CORNER BASIN</b> <b>WB122</b> L 405 x W 405 x H 220</p>			

Medical & Disable Range	PLAN / TOP ELEVATION	SIDE ELEVATION	FRONT ELEVATION
 <p><b>HANDICAPPED BASIN</b> <b>WB9003</b> L 435 x W 500 x H 830 Optional : Semi Pedestal SR1701</p>			
 <p><b>SURGICAL BASIN</b> <b>WB9001</b> L 545 x W 645 x H 800</p>			
 <p><b>UTILITY SINK</b> <b>LS8001</b> L 390 x W 457 x H 287</p>			
 <p><b>LABORATORY SINK</b> <b>LS806</b> L 355 x W 565 x H 255</p>			

Accessories	PLAN / TOP ELEVATION	SIDE ELEVATION	FRONT ELEVATION
 <p><b>SOAP &amp; SPONGE HOLDER TA729</b> Semi Recess L 100 x W 305 x H 155</p>	 <p>180 90.35</p>	 <p>50 100</p>	 <p>305 140 Ø8 155</p>
 <p><b>SOAP TRAY TA726</b> L 100 x W 150 x H 100</p>	 <p>100</p>	 <p>100</p>	 <p>150 90</p>
 <p><b>SOAP HOLDER TA723</b> Semi Recess L 90 x W 170 x H 170</p>	 <p>90</p>	 <p>140 70 150 20</p>	 <p>170 170</p>
 <p><b>TOILET PAPER ROLL HOLDER TA705</b> L 100 x W 150 x H 100</p>	 <p>150 100</p>	 <p>100 Ø8</p>	 <p>100 Ø8</p>
 <p><b>TOILET PAPER ROLL HOLDER TA702</b> Semi Recess L 90 x W 170 x H 170</p>	 <p>90</p>	 <p>20 70 140 150 Ø2-Ø8</p>	 <p>170 170</p>
 <p><b>SOAP HOLDER WOS03</b> L 110 x W 146.5 x H 45</p>	 <p>110 146.5</p>	 <p>45 146.5</p>	 <p>45 110</p>

Accessories	PLAN / TOP ELEVATION	SIDE ELEVATION	FRONT ELEVATION
 <p><b>TOILET PAPER HOLDER WOT04</b> L 145 x W 145 x H 110</p>	 <p>145 145</p>	 <p>145 110</p>	 <p>145 145</p>
 <p><b>TOILET PAPER HOLDER WOT03</b> L 135 x W 145 x H 125</p>	 <p>135 145</p>	 <p>145 125</p>	 <p>135 125</p>
 <p><b>TOILET PAPER HOLDER WOT02</b> L 130 x W 145 x H 105</p>	 <p>130 145</p>	 <p>145 105</p>	 <p>130 105</p>
 <p><b>DISPENSER HOLDER WOL01</b> L 130 x W 150 x H 85</p>	 <p>130 150</p>	 <p>150 85</p>	 <p>130 85</p>